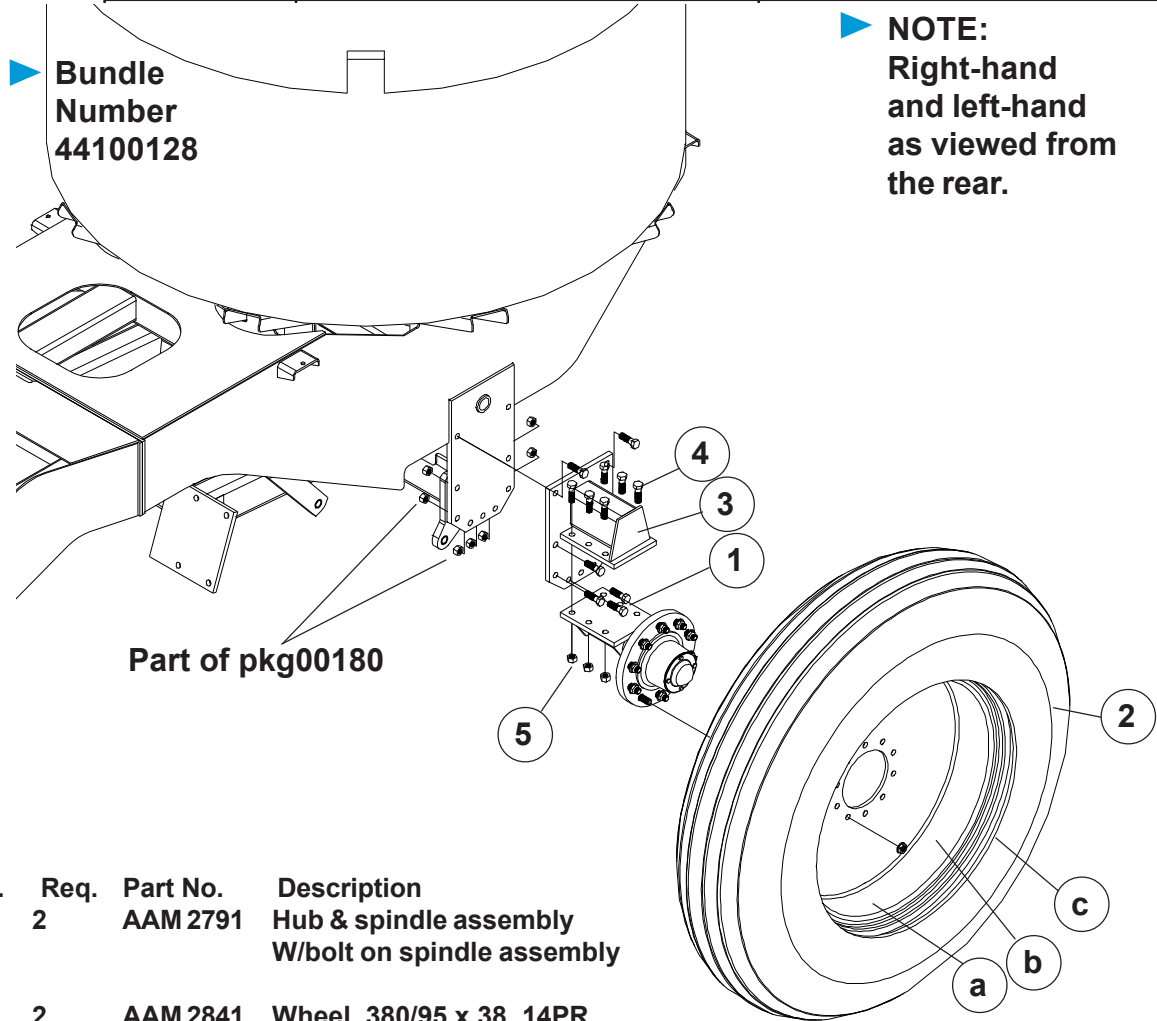


Wheel/Axle, AT4010 72"

AT4010	Task	Procedures	Illustrations
---------------	-------------	-------------------	----------------------



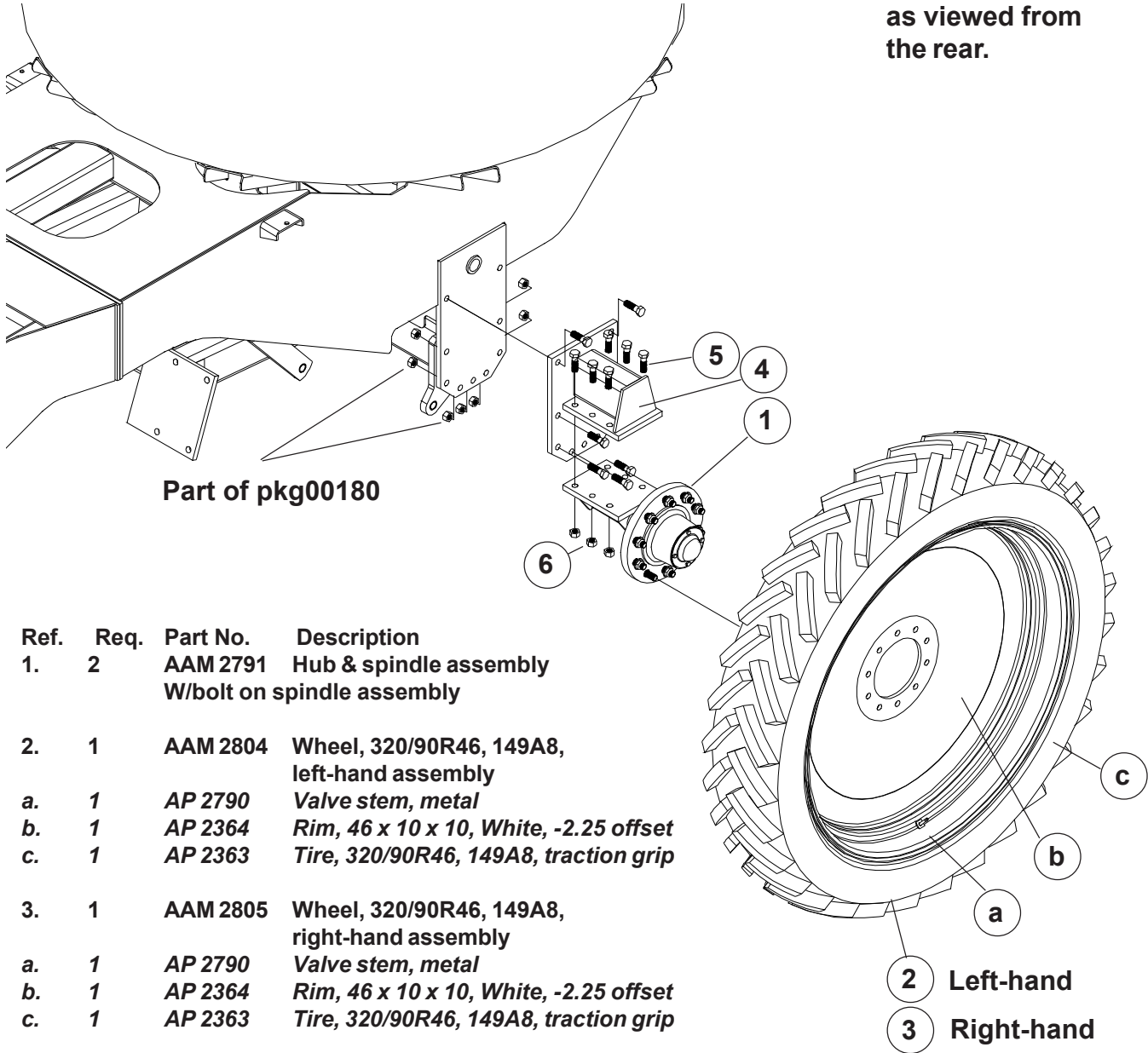
Ref.	Req.	Part No.	Description
1.	2	AAM 2791	Hub & spindle assembly W/bolt on spindle assembly
2.	2	AAM 2841	Wheel, 380/95 x 38, 14PR, 38x12x10, White
a.	1	AP 2790	Valve stem, metal
b.	1	AP 4258	Rim, 38 x 12 x 10, White W38-10200, 1-1/2" offset
c.	1	AP 4259	Tire, 380/95x38 14PR rib implement tubeless
3.	2	AM 3676	Axle, 72" 80" singles, AT4010, 380/95x38 tires
4.	12	BP 3197	Hex cap screw, 3/4"-10 x 2-1/2", grade 8, plated
5.	12	BP 3442	Nut, hex lock, 3/4"-10 top lock, grade C, plated

Wheel/Axle, AT4010 72"

AT4010	Task	Procedures	Illustrations
---------------	-------------	-------------------	----------------------

► **Bundle Number**
44100127

► **NOTE:**
Right-hand and left-hand as viewed from the rear.



Part of pkg00180

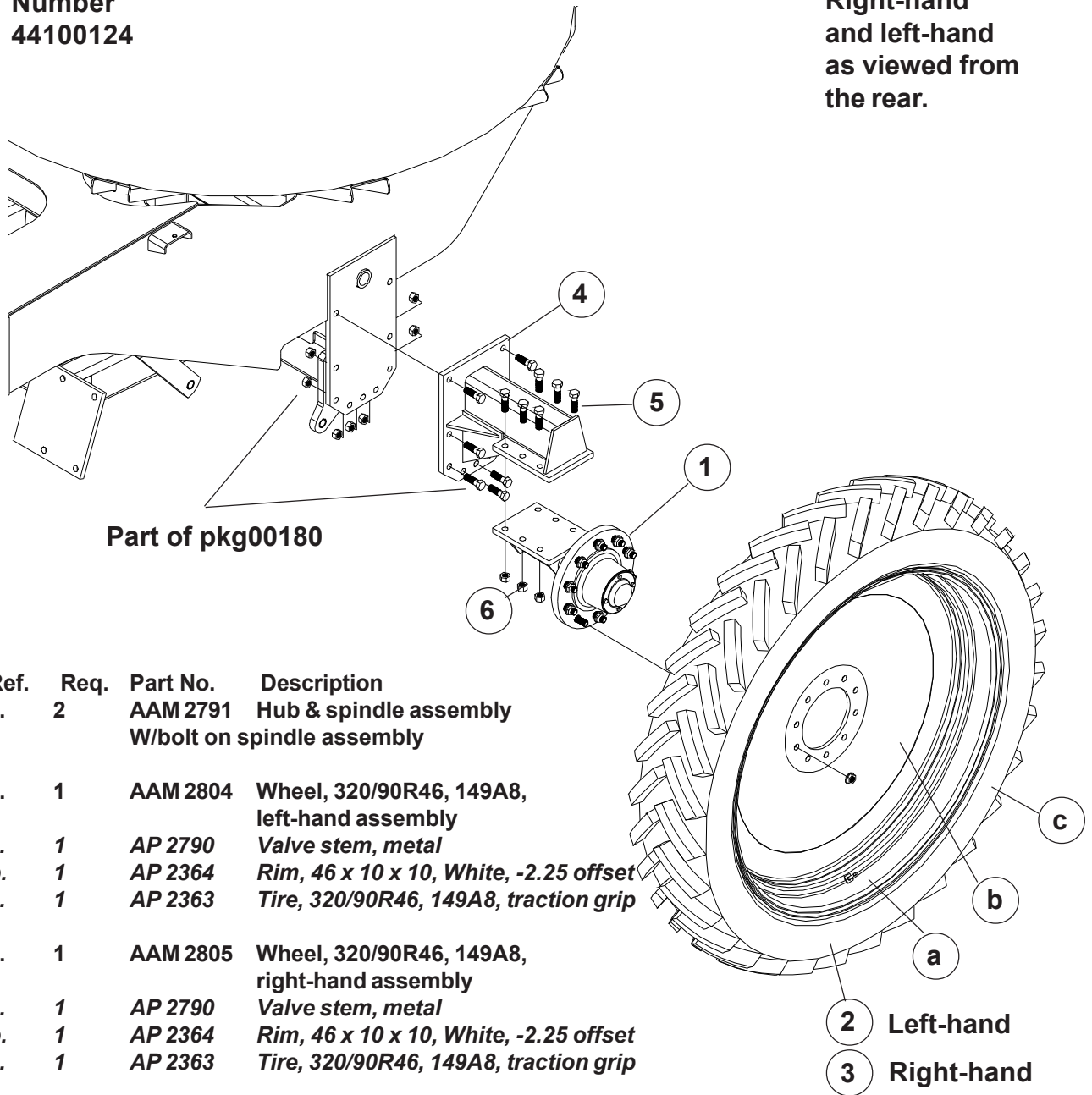
Ref.	Req.	Part No.	Description
1.	2	AAM 2791	Hub & spindle assembly W/bolt on spindle assembly
2.	1	AAM 2804	Wheel, 320/90R46, 149A8, left-hand assembly
a.	1	AP 2790	Valve stem, metal
b.	1	AP 2364	Rim, 46 x 10 x 10, White, -2.25 offset
c.	1	AP 2363	Tire, 320/90R46, 149A8, traction grip
3.	1	AAM 2805	Wheel, 320/90R46, 149A8, right-hand assembly
a.	1	AP 2790	Valve stem, metal
b.	1	AP 2364	Rim, 46 x 10 x 10, White, -2.25 offset
c.	1	AP 2363	Tire, 320/90R46, 149A8, traction grip
4.	2	AM 3676	Axle, 72" 80" singles, AT4010, 380/95x38 tries
5.	12	BP 3197	Hex cap screw, 3/4"-10 x 2-1/2", grade 8, plated
6.	12	BP 3442	Nut, hex lock, 3/4"-10 top lock, grade C, plated

Wheel/Axle, AT4010 88"


AT4010	Task	Procedures	Illustrations
---------------	-------------	-------------------	----------------------

► **Bundle Number**
44100124

► **NOTE:**
Right-hand and left-hand as viewed from the rear.



Ref.	Req.	Part No.	Description
1.	2	AAM 2791	Hub & spindle assembly W/bolt on spindle assembly
2.	1	AAM 2804	Wheel, 320/90R46, 149A8, left-hand assembly
a.	1	AP 2790	Valve stem, metal
b.	1	AP 2364	Rim, 46 x 10 x 10, White, -2.25 offset
c.	1	AP 2363	Tire, 320/90R46, 149A8, traction grip
3.	1	AAM 2805	Wheel, 320/90R46, 149A8, right-hand assembly
a.	1	AP 2790	Valve stem, metal
b.	1	AP 2364	Rim, 46 x 10 x 10, White, -2.25 offset
c.	1	AP 2363	Tire, 320/90R46, 149A8, traction grip
4.	1	AM 3631	Axle, 60/120" Duals, AT4610, 380/95x38 tries
5.	12	BP 3197	Hex cap screw, 3/4"-10 x 2-1/2", grade 8, plated
6.	12	BP 3442	Nut, hex lock, 3/4"-10 top lock, grade C, plated

	Notes		
AT4010	Task	Procedures	Illustrations